



FCP Lens Series for Cree XLamp XB-D¹ LEDs

- High efficiency design
- 5 beams patterns available
- Available as a lens alone for maximum design flexibility or in a holder for easy assembly

The FCP lens offers low profile lenses specifically designed for the XLamp XB-D LEDs from Cree Corporation.

A software-optimized aspheric profile enables the generation of several different beam output patterns: narrow, medium, wide, medium elliptical and wide elliptical beams².

The design of the FCP series insures that almost all of the light emitted by the LED is captured and usefully directed, resulting in a lens with maximum performance and efficiency.

Lens holders are available in black, white or transparent polycarbonate to provide the proper alignment between the LEDs and the lenses; and to set the correct distance between the lens and LED.

The lens holder can be glued and/or screwed to the PCB to provide a secure assembly.

Typical applications are:

- Reading lamps
- Architectural lighting
- Entertainment lighting
- Interior lighting
- Portable lighting



- (1) Cree® XLamp is a trademark of Cree, Inc. For technical information about these LEDs, please refer to the Cree® XLamp datasheet or visit: www.cree.com.
- (2) Typical beam divergence may vary with LED color

FRAEN Corporation OMG	FRAEN Corporation Srl
80 Newcrossing Road	Via delle Querce, 22
Reading MA 01867	27020 Trivolzio (PV)
USA	Italy
Phone: +1 781.205.5300	Phone: +39 0382 1933.1
Fax: +1 781.942.2426	Fax: +39 0382 1933.239

Inquiries: optics@fraen.com
Website: FraenOMG.com

For ordering or sales information in your region, please contact one of our offices listed above or visit www.FraenOMG.com/Contact.



General Characteristics

Materials

Lens Material	Optical Grade PMMA
Holder Material	Polycarbonate: Clear
Operating Temperature range	-40° C / + 80° C
Storage Temperature range	-40° C / + 80°C

Average transmittance in visible spectrum (400 – 700nm) >90%, as measured using 3mm thick Optical Grade PMMA.

Please note that flow lines and weld lines on the external surfaces of the lenses are acceptable if the optical performance of the lens is within the specification described in the section “OPTICAL CHARACTERISTICS”

IMPORTANT NOTE – Lenses handling and cleaning:

- Handling: Always use gloves to handle lenses and/or handle the lenses only by the flange. Never touch the outside surfaces of the lenses with fingers; finger oils and contamination will absorb or refract light.
- Cleaning: Clean lenses only if necessary. Use only soap and water to clean the surfaces and lenses. Never expose the lenses to solvents such as alcohol, as it will damage the plastic.

Scope

This datasheet provides information about the FCP lens series for Cree XLamp LEDs.

Lens alone:


- FCP-N1-XPE1-0R
- FCP-M1-XPE1-0R
- FCP-W1-XPE1-0R
- FCP-E1-XPE1-0R
- FCP-E2-XPE1-0R

Lens Assemblies (lenses in holders):

<u>Black Holder</u>	<u>White Holder</u>	<u>Transparent Holder</u>
• FCP-N1-XPE1-HRF	FCP-N1-XPE1-HRFW	FCP-N1-XPE1-HRFT
• FCP-M1-XPE1-HRF	FCP-M1-XPE1-HRFW	FCP-M1-XPE1-HRFT
• FCP-W1-XPE1-HRF	FCP-W1-XPE1-HRFW	FCP-W1-XPE1-HRFT
• FCP-E1-XPE1-HRF	FCP-E1-XPE1-HRFW	FCP-E1-XPE1-HRFT
• FCP-E2-XPE1-HRF	FCP-E2-XPE1-HRFW	FCP-E2-XPE1-HRFT



Optical Characteristics – On-axis Intensity¹, Beam Angle², Field Angle³

LED	Beam Shape	On-axis Intensity (peak)	Beam Angle (FWHM)	Field Angle (FW10%)
XB-D Warm White 	Narrow	13.0 cd/lm	11°	23°
	Medium	3.7 cd/lm	22°	40°
	Wide	2.1 cd/lm	43°	57°
	Wide Elliptical	4.7 cd/lm	12° x 33°	35° x 48°
	Medium Elliptical	6.8 cd/lm	11° x 23°	24° x 42°

- (1) To calculate the on-axis intensity (cd), multiply the on-axis value, above, of the lens (cd/lm) by the total flux (lm) of the LED used. See “Illumination Calculations” below. Luminous intensity depends on the flux binning and tolerances of the LEDs. Please refer to the LED datasheet for more details on flux binning.
- (2) FWHM is the full angle where the beam intensity is half the on-axis peak intensity
- (3) Field angle is the full angle where the beam intensity is 10% of the on-axis peak intensity

Example Calculations

To calculate intensity (cd): Find the central spot on-axis intensity (cd/lm) for the lens and then multiply this value by the luminous flux (lm) of the LED. Refer to the LED’s datasheet for typical flux values; drive current versus flux ratios; color temperature and binning characteristics.

Example intensity calculations:

If a Fraen lens with an on-axis intensity of 21 candela per lumen (cd/lm) is used with an LED that produces 105 lumens of flux, the calculations are as follows:

On-axis intensity = (21 cd/lm) x (105 lumens) = 2205 candela on-axis intensity (one LED).

If 12 LEDs are used in a fixture, then the on-axis intensity = 12 LEDs x 2205 candela/LED
= 26460 cd (on-axis – 12 LEDs)

An explanation of illuminance and the effect of distance

One candela at 1-meter distance produces 1 lux. In the above example, the 12 LED fixture produced 26460 candela. If that fixture is illuminating a surface one meter distant, then the *illuminance* on that surface is 26460 lux.

Illuminance decreases with the square of the distance. If you move the fixture so that it is two meters from the surface, then the illuminance falls to 26460 lux/ (2m)² or 6615 lux. Moving the fixture three meters from the surface decreases the illuminance to 26460 lux/(3m)² or 2940 lux.



Beam and Field Angles

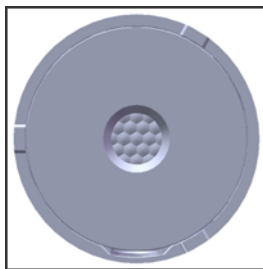
Beam and Field Angles are methods of describing the light distribution of a lens. The Beam Angle is expressed as a FWHM value (Full angular Width of the beam where it reaches Half the Maximum intensity). The Field Angle is a similar concept, sometimes expressed as FW10%, and represents the Full Width angle where the beam reaches 10% of maximum intensity.

If the lenses in our example fixture, above, have a Beam Angle of 10° and an on-axis intensity of 26460 cd, then at ± 5° (half of 10°) the intensity will drop to half of 26460 or 13230 cd. If the Field Angle for the fixture is 19°, then at ± 9.5° (half of 19°) the intensity should be 10% of 26460 or 2646 cd.

Most lenses have Beam and Field Angles that are rotationally symmetrical about the center axis of the lens. Lenses with an elliptical beam profile or optics with specifically shaped beam profiles are the exception.

Intensity, illuminance, Beam and Field Angle are all important factors to be considered in a fixture design. Some applications may require specific ratios between the Beam and Field Angle values.

Mechanical Characteristics



Narrow
Polished front face



Medium
Textured micro-lenses



Wide
Polished micro-lenses



Wide Elliptical
Has 13 ribs



Medium Elliptical
Has 11 ribs

Figure 1. Identifying the FCP series lenses by their front appearance.



The FCP series lenses are available assembled with holder or without a holder. The holder provides the correct alignment (concentricity, height, and orientation) of the lens to the LED. Orientation control is important for the elliptical beam lens.

NOTE: If the FCP lens is used without a lens holder, the user must provide a mechanical method to set the correct position of the lens on the LED. For example, the lens flange can be located in the lamp housing to center the lens to the LED and establish 10.9 mm from the lens flange to the user's PC board. When the lens is positioned correctly, the bottom of the lens should be even with the top of the square LED substrate.

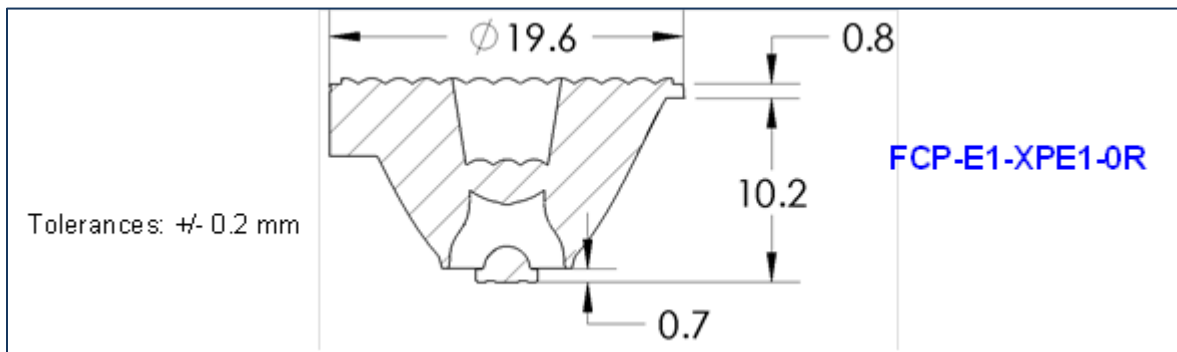


Figure 2. Lens position/height on LED

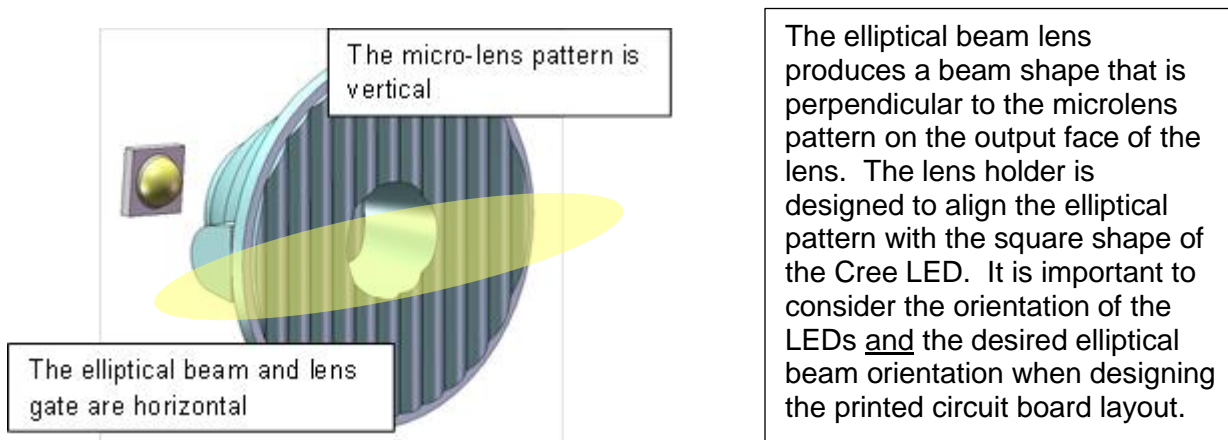
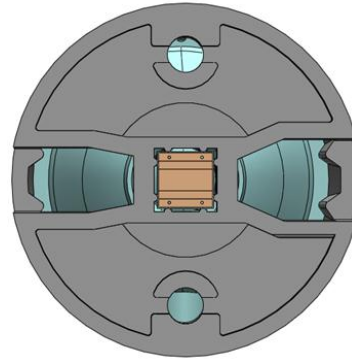
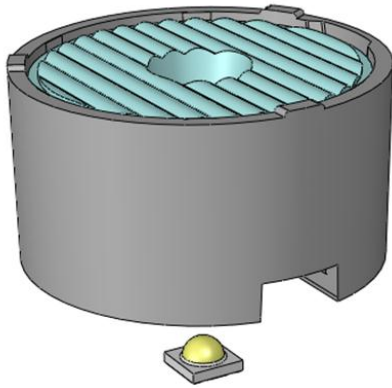
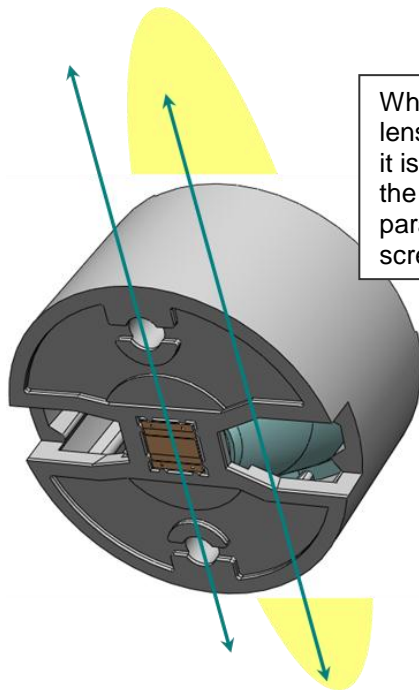


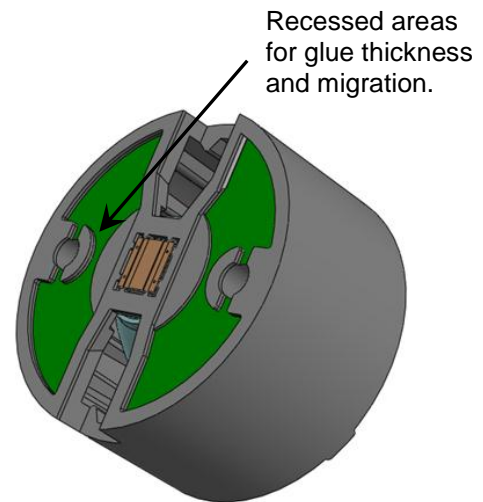
Figure 3. Orientation of elliptical beam



The FCP_1-XPE1-HRF lens assemblies will fit onto the Cree LEDs at four orientations: 0°, 90°, 180° and 270°. The holder insures proper alignment (concentricity and height) of the lens to the LED. After installation, the bottom of the holder should be at the same datum/plane as the bottom of the Cree LED.



When attaching elliptical lens assemblies with screws, it is important to note that the long axis of the beam is parallel to the axis of the screw holes.



Recessed areas for glue thickness and migration.

The lens assembly can be secured to the PC board by using glue or screws inserted through the PCB. To avoid glue on the lens and LED, apply it along the outside diameter edge, or apply a very thin film on areas shown above in green.

CAUTION: Do not use "instant" glue (containing cyanoacrylates). Always test the glue on a sample assembly and check the results and performance 24 hours later. Some adhesives produce fumes that will damage the surfaces of the plastic lens, lens holder, or LED.

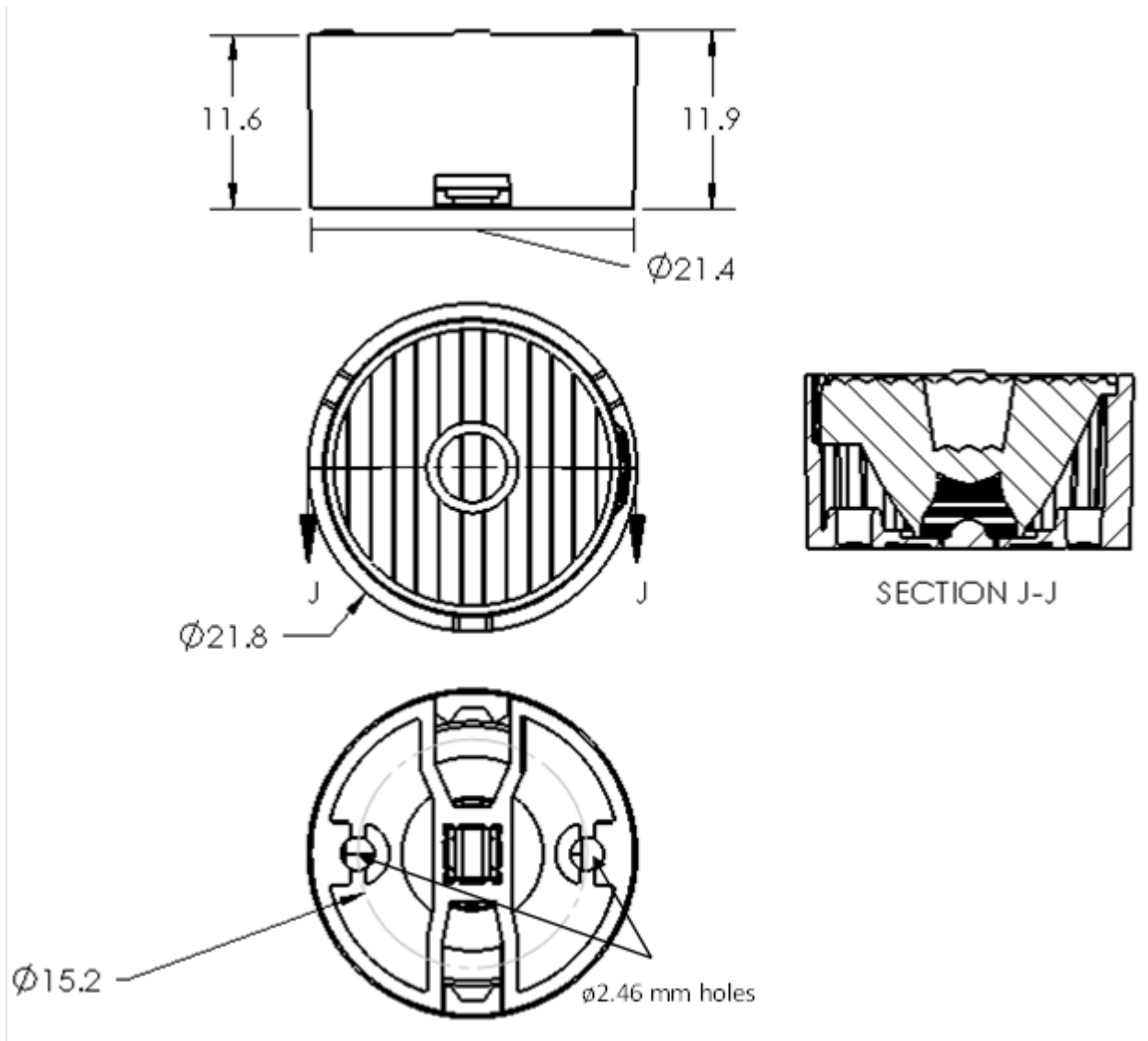


Figure 4. Overall dimensions of FCP-_n-XPE1-HRF series lens assemblies



Ordering Part Numbers

For lens only (no holder)

Caution: if using lens alone, the user must set lens alignment and spacing. See Figure 2.

FCP- 1-XPE1-0R

N: Narrow beam
M: Medium beam
W: Wide beam

FCP-E- -XPE1-0R

1: 10° x 34° Wide Elliptical (XP-E Warm White, other colors may vary)
2: 10° x 23° Medium Elliptical (XP-E Warm White, other colors may vary)

For assembly (lens + holder)

FCP- 1-XPE1-HRF (Black Holder)
 -**HRFW** (White Holder)
 -**HRFT** (Transparent Holder)

N: Narrow beam
M: Medium beam
W: Wide beam

FCP-E- -XPE1-HRF (Black Holder)
 -**HRFW** (White Holder)

1: 10° x 34° Wide Elliptical (XP-E Warm White, other colors may vary)
2: 10° x 23° Medium Elliptical (XP-E Warm White, other colors may vary)

Caution: The orientation of the elliptical beam lens is controlled by the lens holder (see Figures 3 & 4).

Published by Fraen Corporation.

All data contained in this document is the property of Fraen Corporation and may change without notice.