



Color Mixing FRC Reflector for Seoul P5-II and Z6™ multi-chip color LEDs

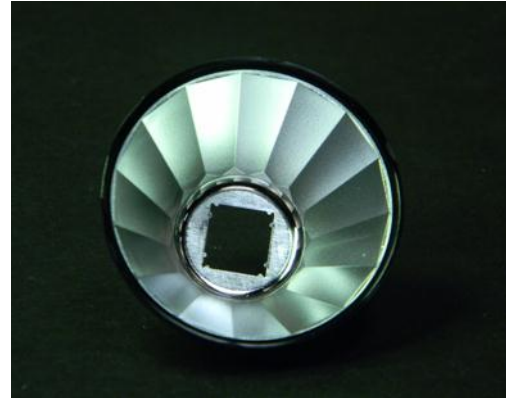
- High efficiency
- Excellent color mixing
- Central Medium beam with useful spill illumination

The FRC reflector delivers a medium beam illumination with excellent color mixing when used with the Seoul P5-II RGB and Z6 RGBW LEDs.

The excellent uniformity of the color mixing enables the FRC reflector to be used in a variety of applications.

Target applications are:

- Architectural lighting
- Entertainment lighting
- RGB Lighting
- General illumination
- Retail and decorative illumination



SEOUL SEMICONDUCTOR

P5-II and Z6 are trademarks of Seoul Semiconductor Co., Ltd. For technical specification on LEDs please refer to the datasheet or visit <http://www.seoulsemicon.com/en/html/main/>

FRAEN Corporation OMG	FRAEN Corporation Srl
80 Newcrossing Road	Via delle Querce, 26
Reading MA 01867	27020 Trivolzio (PV)
USA	Italy
Phone: +1 781.205.5300	Phone: +39 0382 1933.1
Fax: +1 781.942.2426	Fax: +39 0382 1933.239

Inquiries: optics@fraen.com
Website: FraenOMG.com

For ordering or sales information in your region, please contact one of our offices listed above or visit www.FraenOMG.com/Contact.



General Characteristics

Materials

Reflector Material	Black Polycarbonate with reflective aluminum coating protected by clear coat lacquer.
Operating Temperature range	-40° C / + 95° C
Storage Temperature range	-40° C / + 95°C

Please note that small defects in the reflective coating, and flow lines and weld lines on the surfaces of the reflectors are acceptable if the optical performance of the reflector is within the specification described in the section "OPTICAL CHARACTERISTICS"

IMPORTANT NOTE – Reflector handling and cleaning:

- Handling: Always handle the reflectors by the outside surfaces or flange. Never touch the inside surfaces of the reflector with fingers; finger oils and contamination will absorb or refract light.
- Cleaning: Clean reflectors only if necessary. Use only soap and water to clean the surfaces and reflectors. Never expose the reflectors to alcohol, as it will damage the plastic.

Scope

This datasheet provides information about the **FRC-M1-35-RIB** reflector.

Optical Characteristics – On-axis Intensity¹, Beam Angle², Field Angle³

LED	Beam Shape	On-axis Intensity (peak)	Beam Angle (FWHM)	Field Angle (FW10%)
P5-II RGB	Medium	1.1 cd/lm	27°	80°
Z6 RGBW	Medium	1.9 cd/lm	30°	80°

- (1) To calculate the on-axis intensity (cd), multiply the on-axis value, above, of the reflector (cd/lm) by the total flux (lm) of the LED used. See "Illumination Calculations" below. Luminous intensity depends on the flux binning and tolerances of the LEDs. Please refer to the LED datasheet for more details on flux binning.
- (2) FWHM is the full angle where the beam intensity is half the on-axis peak intensity
- (3) Field angle is the full angle where the beam intensity is 10% of the on-axis peak intensity



Example Calculations

To calculate intensity (cd): Find the central spot on-axis intensity (cd/lm) for the reflector and then multiply this value by the luminous flux (lm) of the LED. Refer to the LED's datasheet for typical flux values; drive current versus flux ratios; color temperature and binning characteristics.

Example intensity calculations:

If a Fraen reflector with an on-axis intensity of 21 candela per lumen (cd/lm) is used with an LED that produces 105 lumens of flux, the calculations are as follows:

On-axis intensity = (21 cd/lm) x (105 lumens) = 2205 candela on-axis intensity (one LED).

If 12 LEDs are used in a fixture, then the on-axis intensity = 12 LEDs x 2205 candela/LED
= 26460 cd (on-axis – 12 LEDs)

An explanation of illuminance and the effect of distance

One candela at 1-meter distance produces 1 lux. In the above example, the 12 LED fixture produced 26460 candela. If that fixture is illuminating a surface one meter distant, then the *illuminance* on that surface is 26460 lux.

Illuminance decreases with the square of the distance. If you move the fixture so that it is two meters from the surface, then the illuminance falls to 26460 lux/ (2m)² or 6615 lux. Moving the fixture three meters from the surface decreases the illuminance to 26460 lux/(3m)² or 2940 lux.

Beam and Field Angles

Beam and Field Angles are methods of describing the light distribution of a reflector. The Beam Angle is expressed as a FWHM value (Full angular Width of the beam where it reaches Half the Maximum intensity). The Field Angle is a similar concept, sometimes expressed as FW10%, and represents the Full Width angle where the beam reaches 10% of maximum intensity.

If the reflectors in our example fixture, above, have a Beam Angle of 10° and an on-axis intensity of 26460 cd, then at ± 5° (half of 10°) the intensity will drop to half of 26460 or 13230 cd. If the Field Angle for the fixture is 19°, then at ± 9.5° (half of 19°) the intensity should be 10% of 26460 or 2646 cd.

Most reflectors have Beam and Field Angles that are rotationally symmetrical about the center axis of the reflector. Reflectors with an elliptical beam profile or optics with specifically shaped beam profiles are the exception.

Intensity, illuminance, Beam and Field Angle are all important factors to be considered in a fixture design. Some applications may require specific ratios between the Beam and Field Angle values.

Mechanical Characteristics

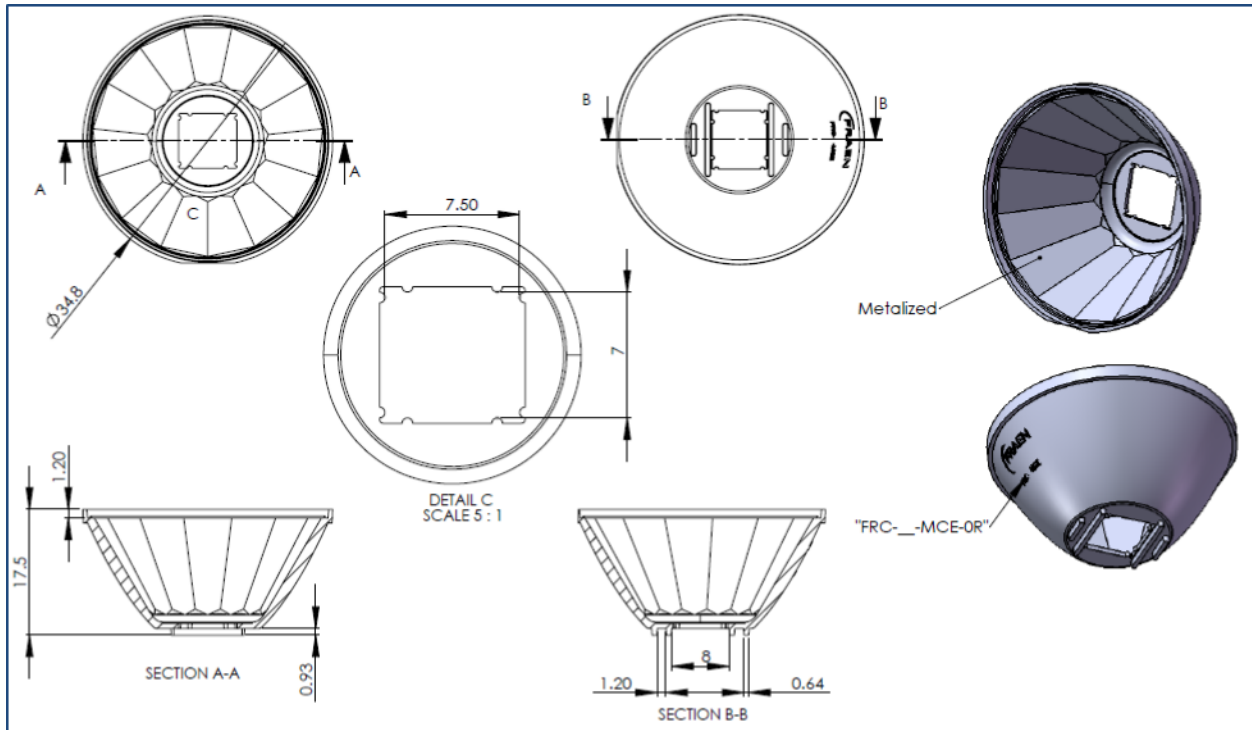


Figure 1: General views and dimensions of the FRC-M1-35-RIB reflector
(All dimensions in millimeters – Mechanical CAD files available upon request)

Ordering Part Numbers

FRC-M1-35-RIB