



FC3 Series Tri-Lens for Cree XLamp® 7090 XR and XR-E LEDs

- High efficiency
- 3 beams available
- MR-16 size tri-lens

The FC3 tri-lens offers MR16 size lenses specifically designed for the XLamp® 7090XR and XR-E LEDs ⁽¹⁾ from Cree.

A software-optimized aspheric profile enables the generation of three different beam output patterns: narrow, medium, and wide beams.

The high collection efficiency reaches 85% of the total flux emitted by the LEDs.

Lens holders are white or clear polycarbonate, and provide the proper alignment between the LEDs and the lenses, and set the correct distance between the lens and LED.

The lens holder can be heat-staked to the PCB, to provide a secure assembly.

Typical applications are:

- MR-16 LED lamps
- Architectural lighting
- General illumination
- Street lights



Cree® XLamp is a trademark of Cree, Inc. For technical information about these LEDs please refer to the Cree® XLamp datasheet or visit <http://www.cree.com/products/xlamp.asp> or http://www.cree.com/products/xlamp7090_xre.asp

FRAEN CORPORATION

80 Newcrossing Road
Reading, MA 01867
Phone: 781.205.5300
Fax: 781.942.2426

optics@fraen.com

FRAEN S.r.l.

Via Stelvio, 12
20019 Settimo M. (MI) – Italy
Phone: +39-02-35.456.1
Fax: +39-02-335.456.239

info@fraen.com

Website: www.fraensrl.com

For pricing and availability, please contact our Certified Distribution Network. Distribution contact information is available on our website:

<http://www.fraensrl.com/contact.html>



General Characteristics

Lens Material	Optical Grade PMMA
Holder Material	PC, black color
Operating Temperature range	-40deg C / + 80 deg C
Storage Temperature range	-40deg C / + 80 deg C

Average transmittance in visible spectrum (400 – 700nm) >90%, as measured using 3mm thick Optical Grade PMMA.

Please note that flow lines and weld lines on the external surfaces of the lenses are acceptable if the optical performance of the lens is within the specification described in the section "OPTICAL CHARACTERISTICS"

IMPORTANT NOTE – Lenses handling and cleaning:

- *Handling: Always use gloves to handle lenses and/or handle the lenses only by the flange. Never touch the outside surfaces of the lenses with fingers; finger oils and contamination will absorb or refract light.*
- *Cleaning: Clean lenses only if necessary. Use only soap and water to clean the surfaces and lenses. Never expose the lenses to solvents such as alcohol, as it will damage the plastic.*

Scope

This datasheet provides information about the three FC3 series tri-lenses beam angles and two different lens-holder colors:

With white PC holder:

- FC3-N2-XR79-H
- FC3-M2-XR79-H
- FC3-W2-XR79-H (coming soon)

With clear PC holder:

- FC3-N2-XR79-HT
- FC3-M2-XR79-HT
- FC3-W2-XR79-HT (coming soon)



Optical Characteristics – Beam Angle (degrees, full angle)

Lens Part Number	Output Beam	Cool White ○	Warm White ○	Blue ●	Green ●	Red ●
FC3-N2-XR79-H	Narrow	5.5	*	6.5	7.0	5.0
FC3-M2-XR79-H	Medium	24	*	25	26	24
FC3-W2-XR79-H	Wide	Wide Beam version coming soon.				

* Not yet measured

- (1) The typical divergence varies with LED color due to different chip size and chip position tolerance. The typical total divergence is the full angle measured where the luminous intensity is half of the peak value.

Optical Characteristics – On-Axis Intensity (candela/lumen)

Lens Part Number	Output Beam	Cool White ○	Warm White ○	Blue ●	Green ●	Red ●
FC3-N2-XR79-H	Narrow	48	*	24	30	37
FC3-M2-XR79-H	Medium	4.4	*	3.6	3.8	4.1
FC3-W2-XR79-H	Wide	Wide Beam version coming soon.				

* Not yet measured

- (2) To calculate the on-axis intensity, multiply the on-axis efficiency of the lens (candela/lumen) by the total flux of the Cree XLamp 7090® XR color or XR-E white LED used. See “Illumination Calculations” below. For more detail on flux binning please check the Cree LED datasheet at <http://www.cree.com/products/xlamp.asp>
- (3) Luminous intensity depends on the flux binning and tolerances of the LEDs. Please refer to the Cree XLamp datasheet for more details on flux binning and mechanical tolerances.
- (4) Typical illuminance measured in lux per lumen with typical Cree 7090 XR-E LED. To estimate the illuminance in lux, multiply the typical illuminance by the flux in lumen of the LED used. See “Illumination Calculations” below.

Please see the next page for illumination calculations.



Illumination Calculations

To calculate peak candela: Find the central spot “on-axis intensity” value in the table above, then multiply this value by the lumens output from your LED (refer to the Cree LED datasheet <http://www.cree.com/products/pdf/XLamp7090XR-E.pdf> or <http://www.cree.com/products/pdf/XLamp7090XR.pdf> for nominal lumens values). Or for a more accurate calculation, refer to the intensity binning tables http://www.cree.com/products/xlamp_docs.asp .

Example calculations:

If the Fraen narrow beam tri-lens FC3-N2-XR79-H is used on 3 cool white Cree XR-E LEDs at 350 mA, the typical luminous flux of the LED is 80 lumens:

The calculation is: (48 candela/lumen) x (80 lumens) = 3840 candela peak on-axis. For three 80 lumen LEDs and a tri-lens: 3840 x 3 = 11520 candela peak on-axis.

1 candela at 1-meter distance produces 1 Lux. This means the peak intensity from this tri-lens at 1 meter will be 11520 lux. The intensity decreases as a function of the distance squared, so at 2 meters the peak intensity will be $11520 / (2^2) = 2880$ lux. At 3 meters distance, the peak intensity will be $11520 / (3^2) = 1280$ lux.

The beam angle specified in the table above is 5.5 degrees full beam-width measured at half-peak. This means at 2.7 degrees off-axis (half of 5.5 degrees), the intensity should be half of 11520 candela, or 5760 candelas.

Mechanical Characteristics

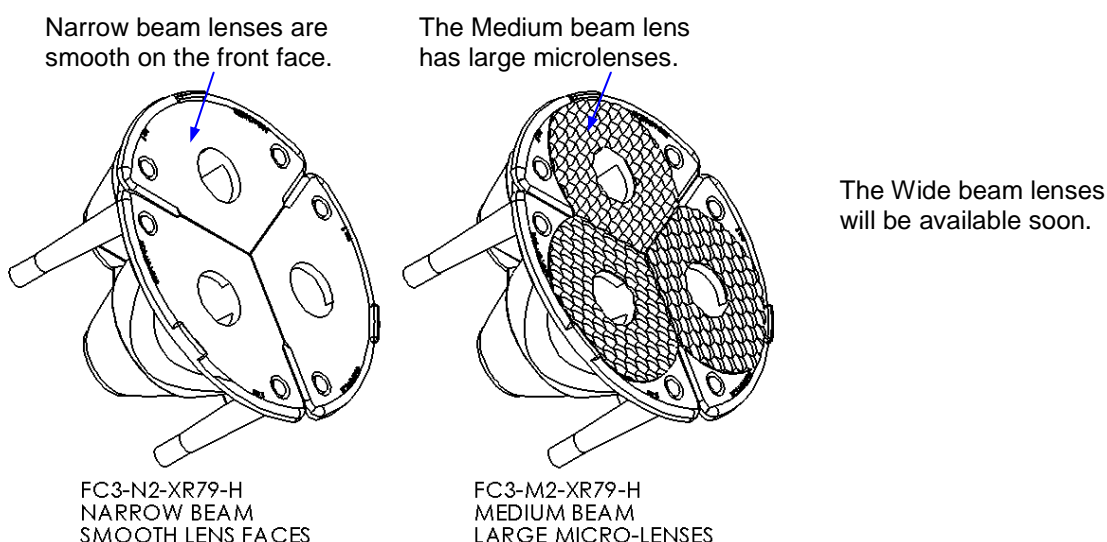
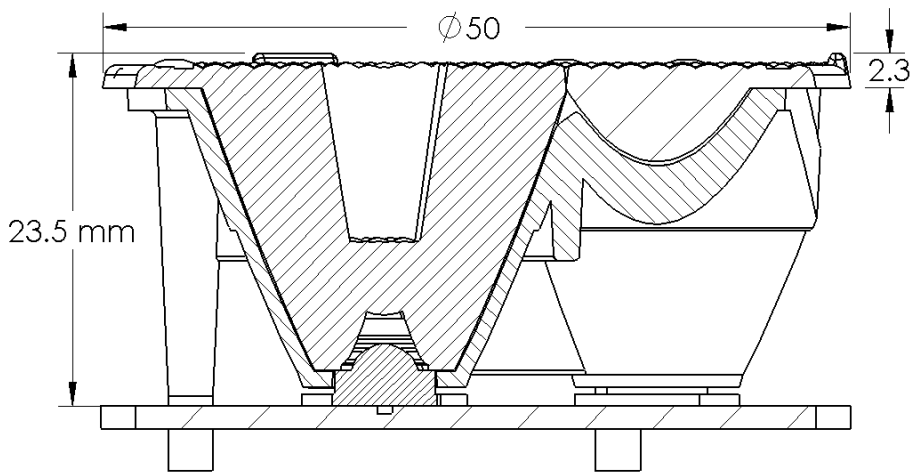
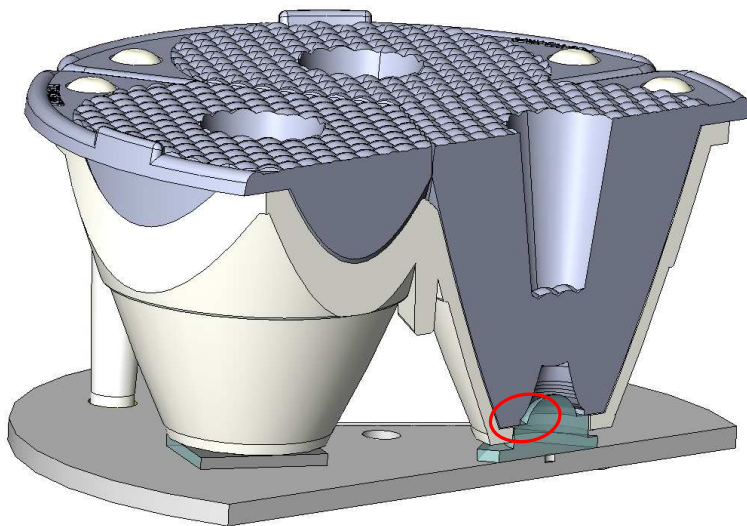


Figure 1: The tri-lens assemblies can be identified by the front face surfaces of the lenses. The FC3 series tri-lenses are available only assembled to a holder. The holder provides the correct alignment of the lenses to the LEDs.



Dimension tolerances: +/- 0.2 mm

Figure 2: X-section view shows the lens touches the Cree XR/XR-E LED, and the holder aligns the lens to the LED. The dimension "23.5 mm" represents the distance from the top of the lens holder to the bottom of the Cree LEDs.

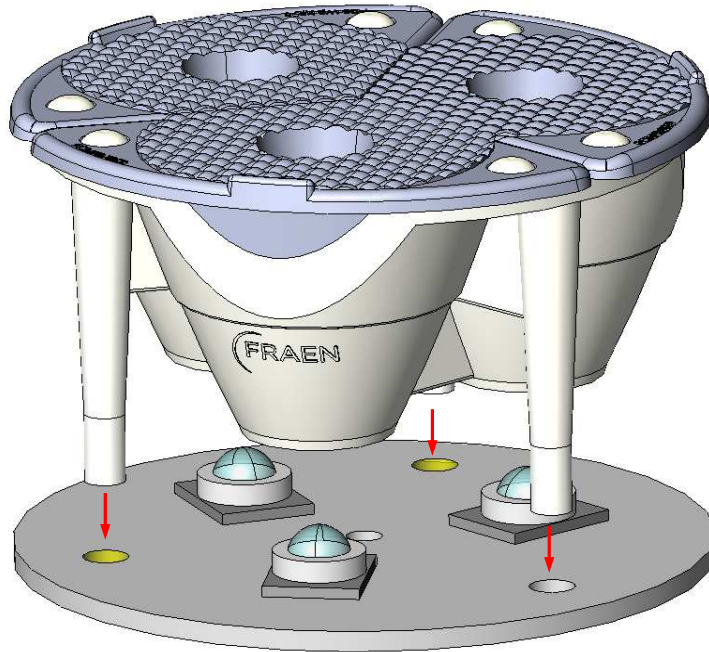


Figure 3: The 3 legs on the tri-lens require clearance holes in the circuit board. The holder has a ring feature around each lens, to align the holder to the LEDs.

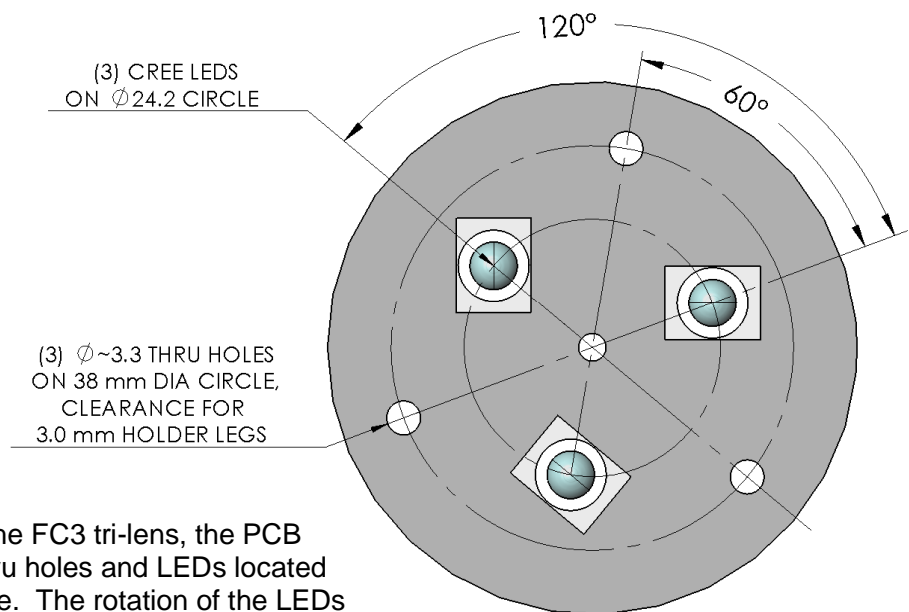


Figure 4: For best fit to the FC3 tri-lens, the PCB should have thru holes and LEDs located as shown above. The rotation of the LEDs is not controlled or affected by the tri-lens holder, and can be decided by the user.



Ordering part numbers

FC3-__2-XR79-H



N: Narrow beam
M: Medium beam
W: Wide beam (coming soon)

Published by Fraen Corporation.

All data contained in this document is the property of Fraen Corporation and may change without notice.

Rev	Date	Author	Description
00	18-November-2008	C. Jones	Initial Release